

PVC-Cold-Welding Technique

Seam Welding of Structured PVC Floor and Wallcoverings with a Transparent Wear Layer and Vinyl Wallpapers.



Applicator bottle – Nozzle A + Seal Cold Welding Fluid (matt)

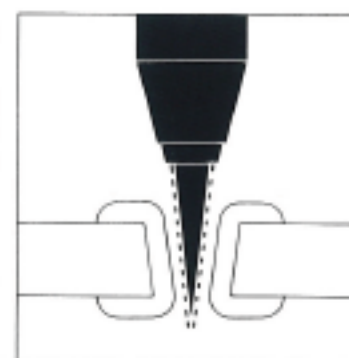
For sealing seams in PVC floor and wallcoverings as well as Polyfleece and felt coverings with a perfectly-cut "neat" seam (double cut).

The metal needle of nozzle A ensures a clean and faultless weld for the total thickness of the material (see drawing). The seam can be walked on approx. 10 minutes after application of the welding fluid. It will have reached its ultimate strength after approx. 1 hour and is from then on hardly visible.

It is advisable to seal seams immediately after installation.

Advantages: No penetration of cleaning water or dirt and no open seams. Prevents seam edges from lifting.

1 litre is sufficient to seal approx. 300 metres of seam.



Applicator bottle – Nozzle C + Seal Paste (matt)

For welding PVC floor and wallcoverings with badly cut seams and for repairing old existing PVC floorcoverings with seam gaps up to 4 mm. Seal Paste provides a homogeneous and water tight seal and is recommended to weld PVC skirting profiles to vinyl floor and wallcoverings in wet rooms, hospitals, labs etc.

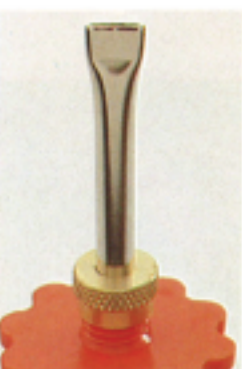
Store at room temperature (18°-20 °C). Seal paste be coloured on request.

1 litre is sufficient to seal approx. 150 metres of seam.



PVC Cold Welding Set consisting of:

Applicator bottle with a choice of nozzle A, C or C special and 1 litre of WM-Seal Cold Welding Fluid or 1 litre of WM-SEAL Paste.



Applicator bottle – Nozzle C special + Seal Paste (matt)

Nozzle C special is admirably suited for welding PVC floor and wallcoverings, insert and skirting profiles. Also used to strengthen loop-pile carpet seams and prevent fraying out. The seam remains elastic and is shampoo-proof as well as dirt repellent. Apply Seal-Paste immediately after fitting.

1 litre is sufficient to seal approx. 150 metres of seam.

Durability: 3 years from date of production, if the products are always kept dry, free of frost and not stored above 30 °C.

● COLD WELDING KIT

Plastic carrying case containing:
- 4 tubes with «A» nozzles 44 g
- 1 tube with «C» nozzle 44 g
- 2 masking tape rolls 50 mm x 50 m
- 1 cutter 18 mm.



● COLD WELDING KIT

Wooden carrying case containing:
- 1 bottle with «A» nozzle,
- 1 bottle with «C» nozzle,
- 1 «C-special» nozzle,
- 1 litre of «Seal» product,
- 1 litre of «Seal-paste» product,
- cleaning product for «A» nozzle.



Safe Results The Easy Way

The 3 Steps for a successfully sealed seam in PVC-floor coverings



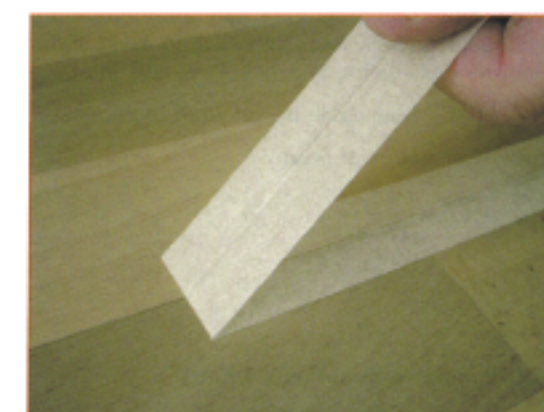
Much success with only a few tools!



Place special masking tape centered over the closely-cut seam and press on tightly with a roll.



**The result:
A nearly invisible and watertight seam!**



After approx. 10 minutes pull off the masking tape backwards at an angle.



With one hand press the needle of the tube firmly inside of the seam and pull along. With the other hand dose Cold-Welding Liquid so that an approx. 5 mm wide line appears on the masking tape.



Cut masking tape easily with the rolling knife in the area of the seam. With hard coverings (e.g. object floorings) the seam area has to be heated to a maximum of 40 °C directly before welding, by using an iron or a heat gun.

